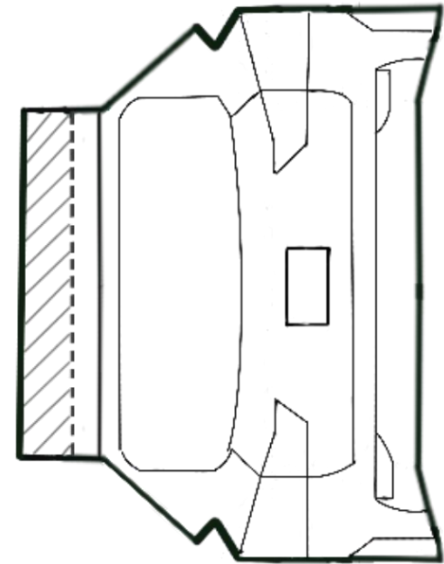
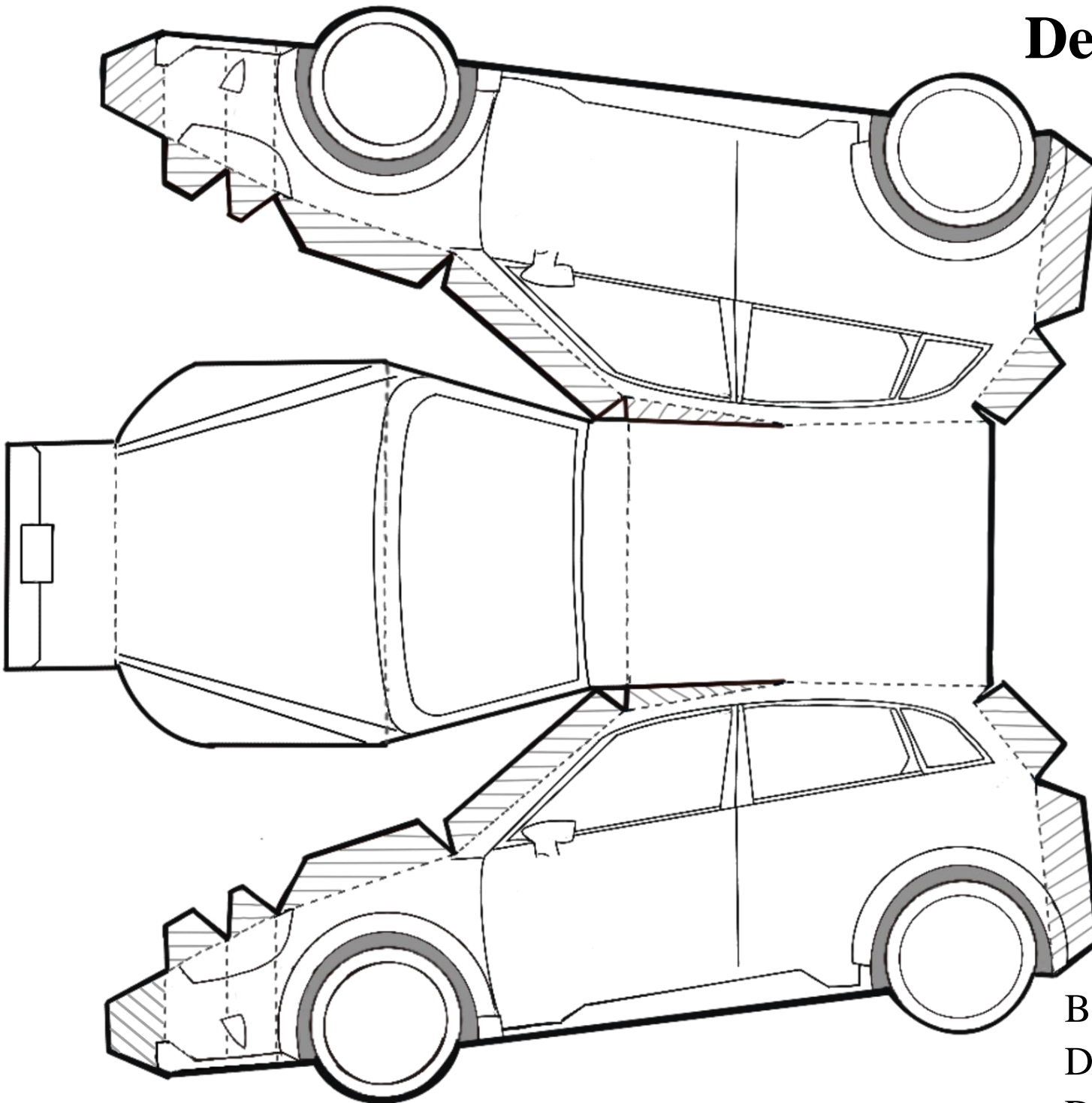


Design Challenge

3-D Car Template



Bold Lines: Cut

Dotted Lines: Fold

Diagonal Lines: Glue

Colour and personalize!

* If there is extra time... you can name your car or design a license plate for it!